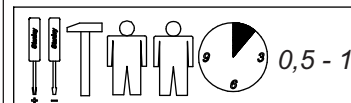
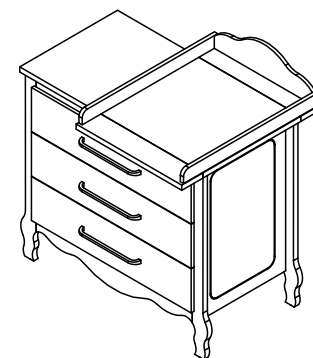
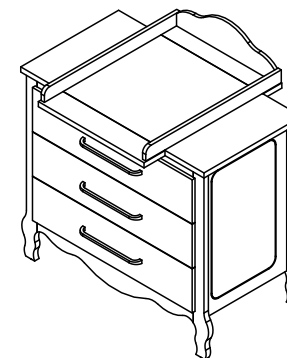
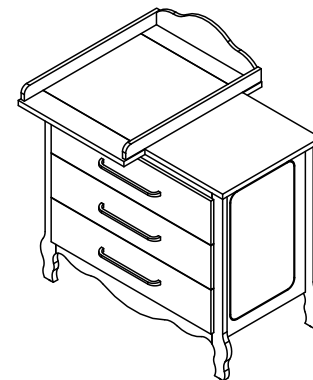
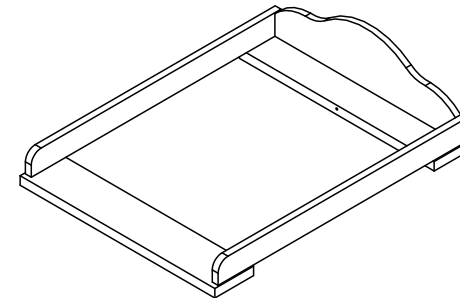


Instruction Manual

**ELENA**

BARRIER

13713611



DISTRIBUTOR:

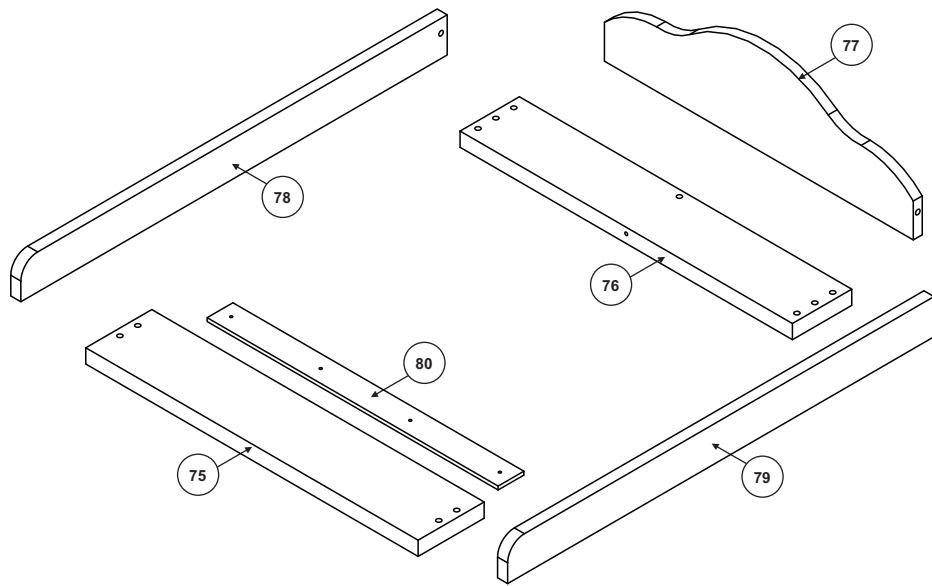
**BOPITA**






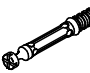

*Energieweg 1, 6662 NS Elst*

*The Netherlands*

[www.bopita.com](http://www.bopita.com)

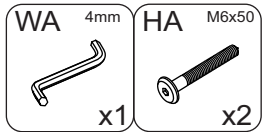
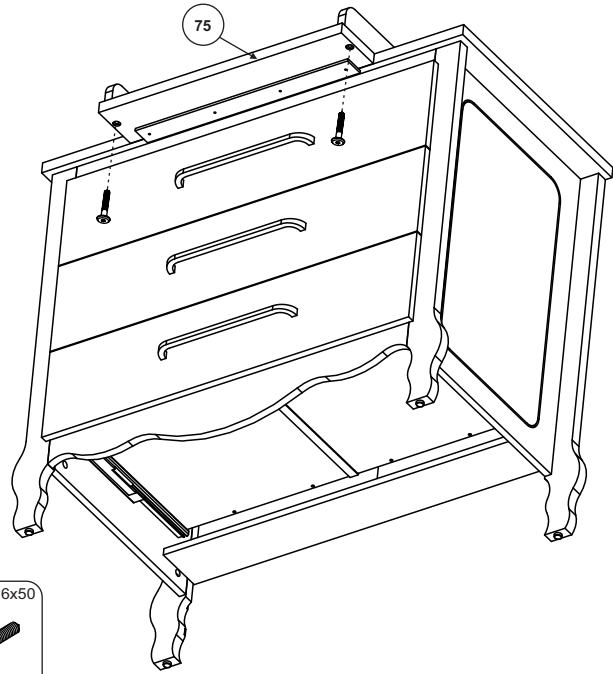
10.09.2021.



|  |   |   |   |   |   |   |
|--|---|---|---|---|---|---|
| <b>WA</b> 4mm  | <b>HA</b> M6x50   | <b>AB</b> 5x30  | <b>A</b> 8x35   | <b>C</b> 15x10  | <b>B</b> 34mm   | <b>JG</b> 3x20  |
|  |  |  |  |  |  |  |
| x1   | x5  | x1  | x6  | x2  | x2  | x4  |

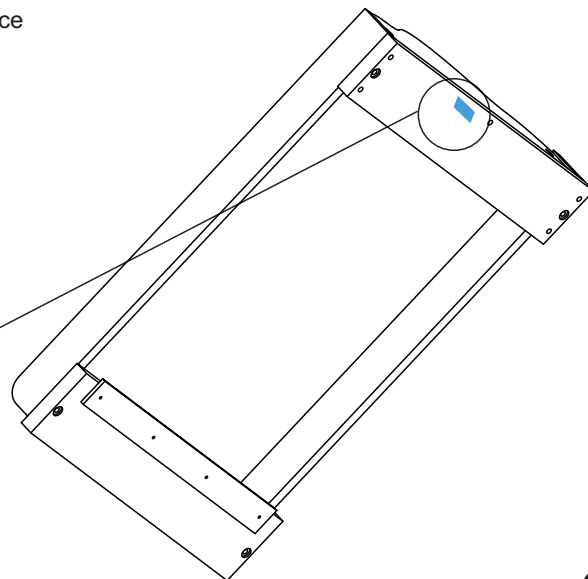
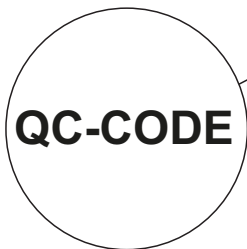
**2**

8



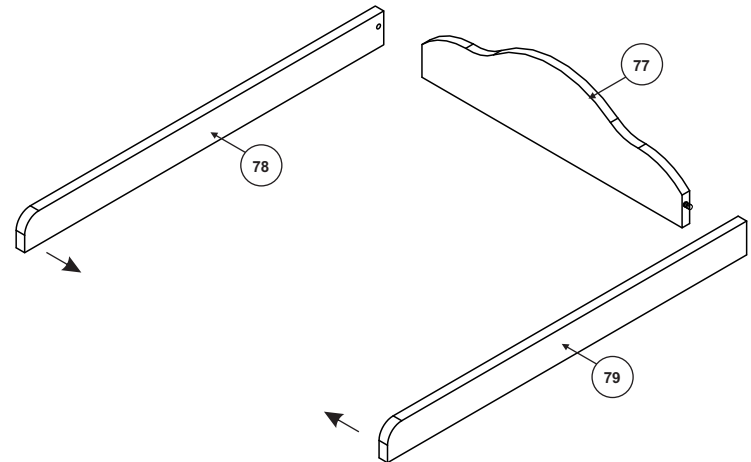
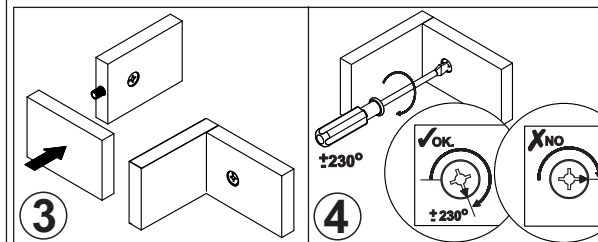
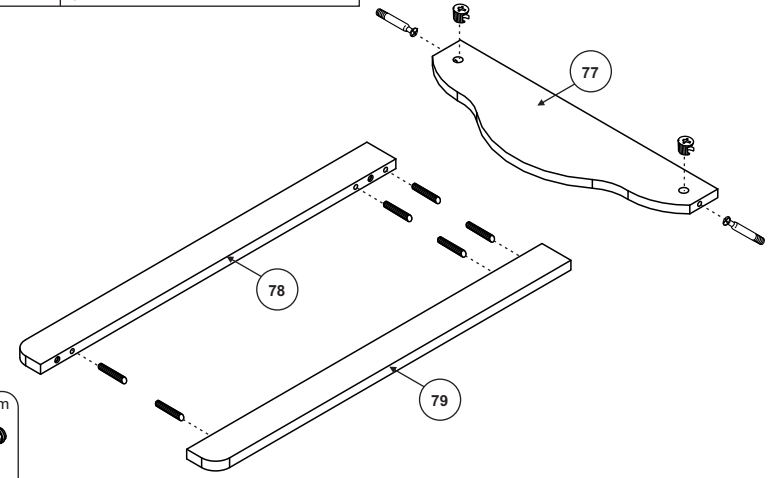
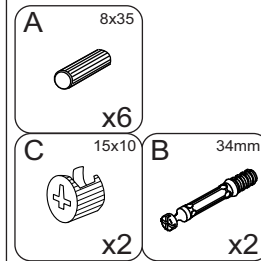
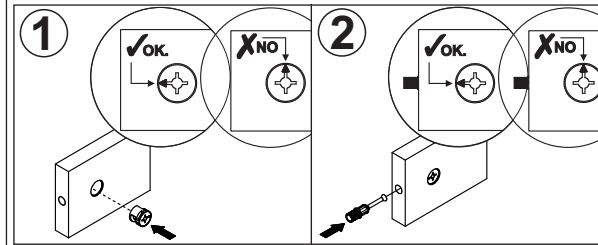
**QC-CODE**

- (UK) for service requests
- (NL) voor service vragen
- (FR) pour les demandes de service
- (DE) für Service Anfragen
- (ES) para consultas de servicio
- (IT) per richieste di assistenza

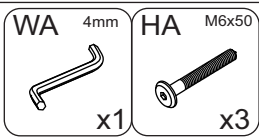


9

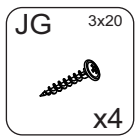
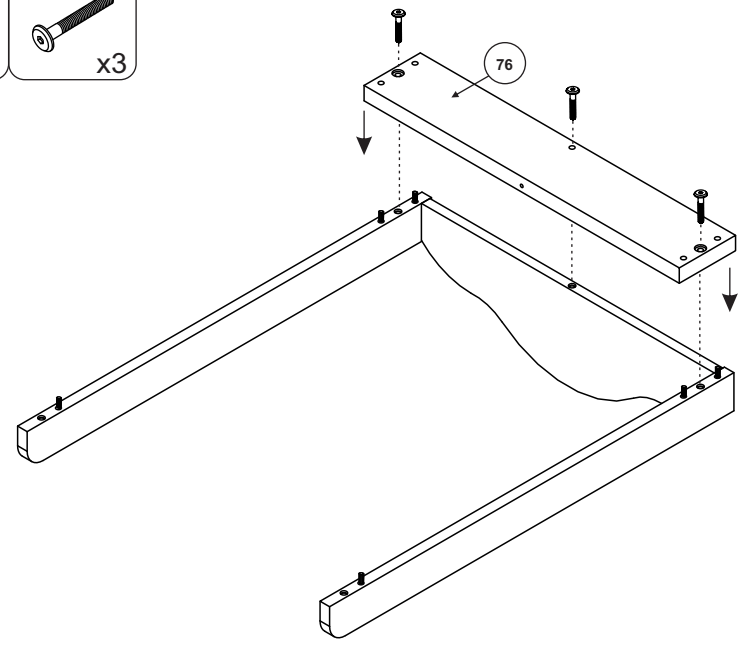
3



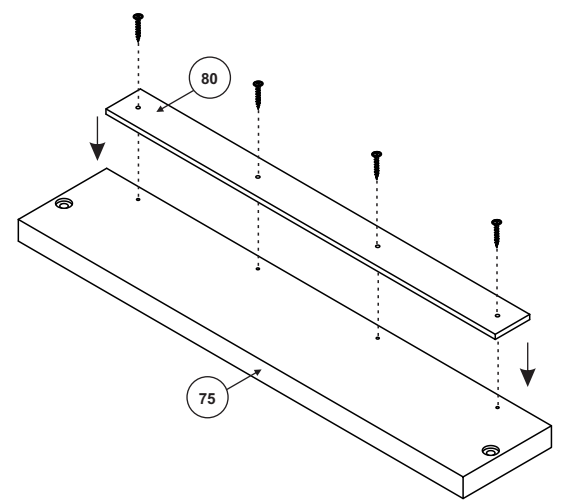
4



5



6



7

